

**4MP Pro-X PTZ**

# LXPTZIP414W-X25IR



## Key Features

- Outputs max. 4MP (2560 × 1440) @30fps
- 1/2.8" Starlight CMOS image sensor
- Powerful 25x optical zoom
- Min. Illumination 0.005 Lux@F1.6, 0 Lux with IR LED on
- Built-in IR LED, Matrix IR LED up to 328ft
- H.265/H.264, flexible coding, smart codec
- Auto Tracking and PFA technology
- MD 2.0 focus on human & vehicle
- Smart VCA by AI algorithm
- Support face detection
- Built-in Micro SD card slot, up to 512 GB
- 12V DC/PoE+ power supply
- IP66 protection

## Specification

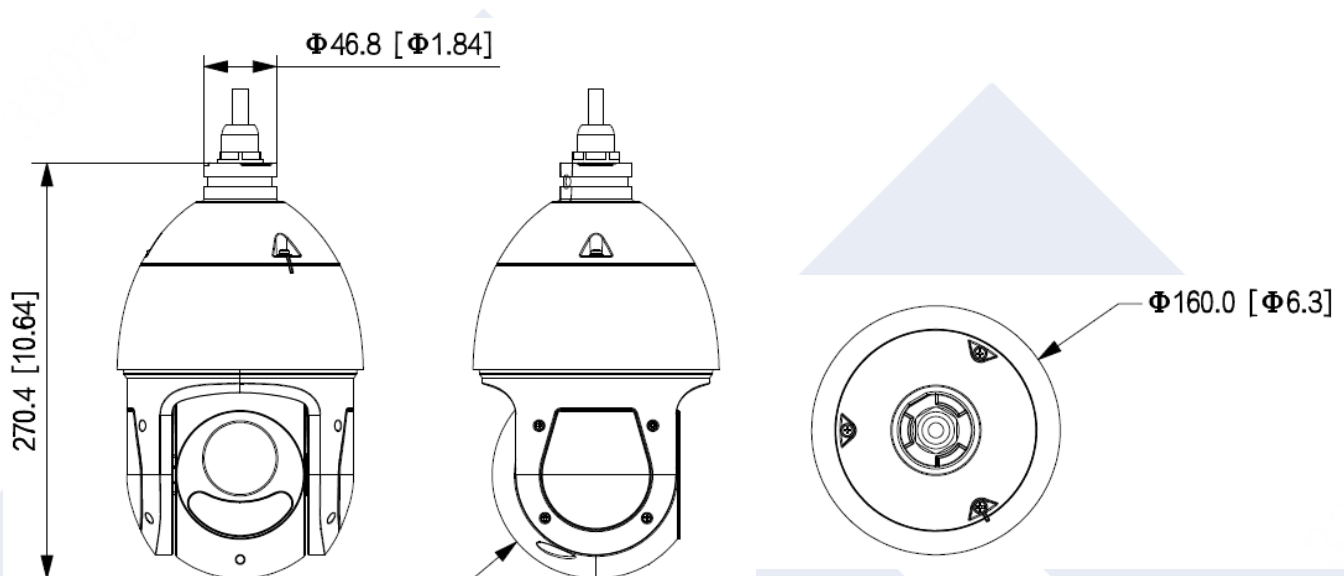
## LXPTZIP414W-X25IR

Camera	
Image Sensor	1/2.8" 4Megapixel progressive CMOS
Min. Illumination	Color: 0.005 lux@F1.6, B/W: 0.0005 lux@F1.6, 0 Lux with IR light on
Shutter	Electronic 1/1 s-1/30, 000 s
S/N Ratio	> 56 dB
Noise Reduction	2D NR, 3D NR
Wide Dynamic Range	120 dB
Day & Night	Auto(ICR)/Color/B/W
Angle Adjustment	Pan: 0°-360° endless, Tilt: -15°to 90°, auto flip 180°
Optical Zoom	25x
Focal Length	5 mm-115 mm
Field of View	Horizontal: 56.2°-2.6°, Vertical: 32.5°-1.5°, Diagonal: 63.2°-3°
Close Focus Range	1.5 m (4.92 ft)
DORI	Detect: 2,072m (6,797.90ft) , Observe: 828.8m (2,719.16ft), Recognize: 414.4m (1,359.58ft), Identify: 207.2m (679.79ft)
Illuminator	4 (IR LED)
Illumination Range	100 m (328.08 ft)
Illuminator Control	Auto/Manual/ Smart IR/ Zoom Priority/ Off
Control Speed	Manual, Pan: 0.1°/s-200°/s, Tilt: 0.1°/s-100°/s
Preset	300
Tour	8 (up to 32 presets per tour)
Pattern	5
Scan	5
Power-off Memory	Yes
Video	
Video Compression	H.265, H.264, H.264H, H.264B, MJPEG(only supported by sub stream1)
Smart Codec	Supported
Resolution	4MP (2560 × 1440), 1080p (1920 × 1080), 1.3M (1280 × 960), 720p (1280 × 720), D1 (704 × 576/704 × 480), CIF (352 × 288/352 × 240)
Video Frame Rate	Main stream: 4MP (2560 × 1440)/ 1080p (1920 × 1080), 1.3M (1280 × 960)/ 720p (1280 × 720) @1 fps- 30 fps Sub stream1: D1 (704 × 576/704 × 480)/ CIF (352 × 288/352 × 240) @1 fps-30 fps Sub stream2: 720p (1280 × 720) @1 fps-30 fps
Video Stream	3 streams
Bit Rate Control	CBR, VBR
Video Bit Rate	H.264: 96 Kbps - 14848 Kbps H265: 38 Kbps - 8960 Kbps
ROI	Supported
Image Rotation	180°
Defog	Electronic
Privacy Mask	Supported (24 areas with up to 8 areas in the same view)
Intelligent Analysis	
VCA	Tripwire, intrusion (Support the classification and accurate detection of vehicle and human)
MD 2.0	Yes, support alarm triggered by vehicle and human

Face Detection	Supported
Auto Tracking	Supported
<b>Event</b>	
Alarm event	Motion/tampering detection, audio detection, networkdisconnection detection, IP conflict detection, memorycard state detection, memory space detection
<b>Network</b>	
Protocol	HTTP, HTTPS, TCP/IP, IPv4, RTSP, UDP, SMTP, NTP, DHCP,DNS, DDNS, IPv6, 802.1x, SSL,Qos, FTP,UPnP, ICMP,SNMP, IGMP, ARP, RTCP, RTP, PPPoE, RTMP, Bonjour,SMB, NFS
Interoperability	ONVIF (Profile S&G&T), API, P2P
Storage	FTP, SFTP, Micro SD Card (support max. 512 G), NAS
Web Browser	IE, Chrome, Firefox, Safari
Client	PRO-X, X Station
<b>Interface</b>	
Network	RJ-45 (10/100 Base-T)
Alarm I/O	2 input, 1 output
Audio I/O	1 input, 1 output
Two-way Audio	Yes
<b>General</b>	
Power	12V DC/ PoE+ (802.3at), <15.5W
Housing	Metal + Plastic
Dimensions	270.4 mm × Φ160.0 mm (10.64" × Φ6.30")
Operating Conditions	-40 °C to +70 °C (-40 °F to +158 °F)
Protection Grade	IP66
Gross Weight	4.3 kg (9.48lb)
Net Weight	2.8 kg (6.17lb)
Certification	FCC

### Dimensions (mm[inch])

mm [inch]



## Accessory

Wall Mount Bracket is included in package. Optional accessory is for Parapet Mount

LXKWM02 Wall Mount (included in package)	LXPM06 Parapet Mount
