

## *8 MP Pro-X Intelligent Vari-focal Series*

# LXIP8783W-SDZ



## Key Features

- Resolutions up to 8 MP (3840 × 2160) @ real-time 30 fps, 8 MP (3840 × 2160) @ 20 fps with AI enabled
- 1/2.8" Starlight CMOS image sensor
- Min. illumination 0.005 Lux @ f1.5 (Color, 30 IRE), 0 Lux with IR light on
- Built-in IR LED, Matrix IR LED up to 197 feet
- Smart encoding H.264 / H.265
- 120 dB True WDR, 3D DNR, HLC, BLC
- Motion Detection 2.0 focuses on persons & vehicles
- Smart VCAs using AI algorithms
- Built-in MicroSD card storage up to 256 GB
- Supports alarm and audio interfaces
- 12 VDC / POE power supply
- IP67 protection rating

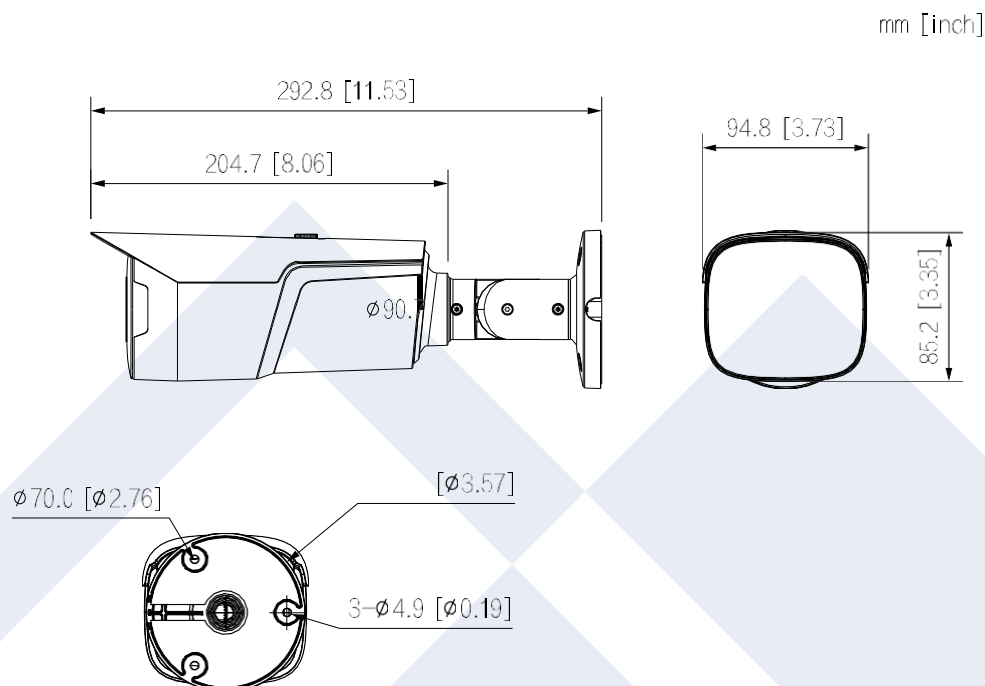
## Specifications

### LXIP8783W-SDZ

Camera	
Image Sensor	1/2.8" 8 MP progressive CMOS
Min. Illumination	0.005 Lux @ f1.5 (Color, 30 IRE), 0.0005 Lux @ f1.5 (B&W, 30 IRE), 0 Lux (illuminator on)
Shutter Speed	Auto / Manual 1/3 - 1/100,000 sec.
S/N Ratio	> 56 dB
Noise Reduction	3D DNR
Wide Dynamic Range	120 dB
Day & Night Imaging	Auto (ICR) / Color / B&W
Angle Adjustment	Pan: 0° - 360°, Tilt: 0° - 90°, Rotation: 0° - 360°
Lens Type	Motorized, vari-focal 2.7 - 13.5 mm @ f1.5
Iris Type	Fixed
Field of View	Horizontal: 113° - 31°, Vertical: 58° - 17°, Diagonal: 138° - 36°
Close Focus Range	2.6 ft (0.8 m)
DORI	W: Detect: 279.9 ft (85.3 m), Observe: 111.9 ft (34.1 m), Recognize: 55.8 ft (17.0 m), Identify: 27.9 ft (8.5 m) T: Detect: 918.6 ft (280.0 m), Observe: 367.5 ft (112.0 m), Recognize: 183.7 ft (56.0 m), Identify: 91.9 ft (28.0 m)
Illuminator	4 (IR LED)
Illumination Range	Approx. 200 ft (60 m)
Illuminator Control	Auto / Manual
Video	
Video Compression	MJPEG (only supported by sub stream), H.264, H.264H, H.264B, H.265
Smart Codec	Supported
Resolutions	8 MP (3840 × 2160), 6 MP (3072 × 2048), 5 MP (3072 × 1728 / 2592 × 1944), 4 MP (2688 × 1520), 3 MP (2048 × 1536 / 2304 × 1296), 1080p (1920 × 1080), 1.3 MP (1280 × 960), 720p (1280 × 720), D1 (704 × 576 / 704 × 480), VGA (640 × 480), CIF (352 × 288 / 352 × 240)
Video Frame Rates	Main stream: 3840 × 2160 @ 1 - 20 fps by default / 3840 × 2160 @ 1 - 30 fps when AI function disabled  Sub stream: 704 × 576 @ 1 - 25 fps / 704 × 480 @ 1 - 30 fps  Third stream: 1920 × 1080 @ 1 - 30 fps
Video Stream	3 streams
Bit Rate Control	CBR, VBR
Video Bit Rates	H.264: 3 Kbps - 8,192 Kbps H.265: 3 Kbps - 8,192 Kbps
ROI	Supported (4 areas)
Image Rotation	0° / 90° / 180° / 270° (supports 90° / 270° with 1920 × 1080 resolution or lower)
Mirror	Supported
Privacy Mask	Supported (4 areas)
Audio	
Audio Compression	G.711a, G.711Mu, G726
Intelligent Analysis	
VCA	Tripwire, intrusion (supports classification and accurate detection of vehicles and persons)
MD 2.0	Yes, supports alarms triggered by vehicles and persons
Event Types	

Alarm Events	No SD card, SD card full, SD card error, service life warning (only supported by Dahua card), network disconnection, IP conflict, illegal access, motion detection, video tampering, intrusion, tripwire, scene changing, audio detection, voltage detection, defocus detection, external alarm, IMD, safety exceptions / anomalies
<b>Network</b>	
Protocols	IPv4, IPv6, HTTP, TCP, UDP, ARP, RTP, RTSP, RTCP, RTMP, SMTP, FTP, SFTP, DHCP, DNS, DDNS, QoS, UPnP, NTP, Multicast, ICMP, IGMP, NFS, SAMBA, PPPoE, SNMP
Interoperability	ONVIF (Profile S / Profile G / Profile T), API, P2P
Storage	FTP, SFTP, MicroSD Card (supports up to 256 GB), NAS
Web Browsers	IE: IE8, IE9, IE11, Chrome, Firefox
Client	PRO-X, X Station
<b>Interface</b>	
Network	RJ-45 (10/100 Base-T)
Audio input/output	1 channel (RCA port) audio input, 1 channel (RCA port) audio output
Alarm input/output	1 channel input: 5 mA, 3 - 5 VDC, 1 channel output: 300 mA, 12 VDC
<b>General</b>	
Power Supply	12 VDC / PoE (802.3 af), < 10.7 W
Housing	Metal
Dimensions (L x W x H)	11.5 x 3.7 x 3.4" (292.8 x 94.8 x 85.2 mm)
Operating Conditions	-22° to 140° F (-30° to 60° C), Less than 95% RH
Storage Conditions	-40° to 140° F (-40° to 60° C)
Protections	IP67
Net Weight	1.8 lb (0.80 kg)
Gross Weight	2.4 lb (1.07 kg)
Certifications	FCC

### Dimensions (mm [inch])



Accessories

LXKJB01 Junction Box	LXPM01 Vertical Pole Mount	LXCM01 Corner Mount
		

