

8 MP Pro-X Intelligent Fixed Lens Series

LXIP8582W-28MDA



Key Features

- Resolutions up to 8 MP (3840 × 2160) @ 30 fps, 8 MP (3840 × 2160) @ 20 fps with AI enabled
- 1/2.8" Starlight CMOS image sensor
- Min. illumination 0.005 Lux @ f1.4 (Color, 30 IRE), 0 Lux with IR light on
- Built-in IR LED, Matrix IR LED up to 164 feet
- Smart encoding H.264 / H.265
- 120 dB True WDR, 3D DNR, HLC, BLC
- Motion Detection 2.0 focuses on persons & vehicles
- Smart VCAs using AI algorithms
- Built-in MicroSD card storage up to 256 GB
- Built-in mic
- Supports alarm and audio interferences
- 12 VDC / POE power supply
- IP67 protection rating

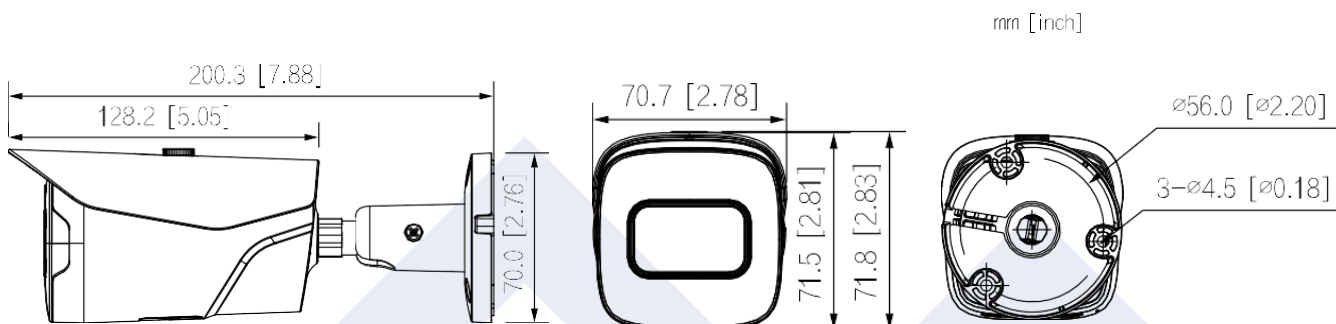
LXIP8582W-28MDA

Specifications

Camera	
Image Sensor	1/2.8" 8 MP progressive CMOS
Min. Illumination	0.005 Lux @ f1.4 (Color, 30 IRE), 0.0005 Lux @ f1.4 (B&W, 30 IRE), 0 Lux (illuminator on)
Shutter Speed	Auto / Manual 1/3 - 1/100,000 sec.
S/N Ratio	> 56 dB
Noise Reduction	3D DNR
Wide Dynamic Range	120 dB
Day & Night Imaging	Auto (ICR) / Color / B&W
Angle Adjustment	Pan: 0° - 360°, Tilt: 0° - 90°, Rotation: 0° - 360°
Lens Type	Fixed-focal, 2.8 mm @ f1.4
Iris Type	Fixed
Field of View	Horizontal 108° × Vertical 58° × Diagonal 127°
Close Focus Range	4.6 ft (1.4 m)
DORI	Detect: 280.5 ft (85.5 m), Observe: 112.2 ft (34.2 m), Recognize: 56.1 ft (17.1 m), Identify: 28.2 ft (8.6 m)
Illuminator	1 (IR LED)
Illumination Range	165 ft (50 m)
Illuminator Control	Auto / Manual
Video	
Video Compression	MJPEG (only supported by sub stream), H.264, H.264H, H.264B, H.265
Smart Codec	Supported
Resolutions	8 MP (3840 × 2160), 6 MP (3072 × 2048), 5 MP (3072 × 1728 / 2592 × 1944), 4 MP (2688 × 1520), 3 MP (2048 × 1536 / 2304 × 1296), 1080p (1920 × 1080), 1.3 MP (1280 × 960), 720p (1280 × 720), D1 (704 × 576/704 × 480), VGA (640 × 480), CIF (352 × 288 / 352 × 240)
Video Frame Rates	Main stream: 3840 × 2160 @ 1 - 20 fps by default / 3840 × 2160 @ 1 - 30 fps when AI function disabled Sub stream: 704 × 576 @ 1 - 25 fps / 704 × 480 @ 1 - 30 fps Third stream: 1920 × 1080 @ 1 - 30 fps
Video Stream	3 streams
Bit Rate Control	CBR, VBR
Video Bit Rates	H.264: 3 Kbps - 8,192 Kbps H.265: 3 Kbps - 8,192 Kbps
ROI	Supported (4 areas)
Image Rotation	0° / 90° / 180° / 270° (supports 90° / 270° with 1920 × 1080 resolution or lower)
Mirror	Supported
Privacy Mask	Supported (4 areas)
Audio	
Built-in Mic	Yes
Audio Compression	G.711 a, G.711 Mu, G726
Intelligent Analysis	
VCA	Tripwire, intrusion (supports classification and accurate detection of vehicles and persons)
MD 2.0	Yes, supports alarms triggered by vehicles and persons

Event Types	
Alarm Events	No SD card, SD card full, SD card error, service life warning (only supported by card), network disconnection, IP conflict, illegal access, motion detection, video tampering, intrusion, tripwire, scene changing, audio detection, voltage detection, external alarm, IMD , safety exceptions / anomalies
Network	
Protocols	IPv4, IPv6, HTTP, TCP, UDP, ARP, RTP, RTSP, RTCP, RTMP, SMTP, FTP, SFTP, DHCP, DNS, DDNS, QoS, UPnP, NTP, Multicast, ICMP, IGMP, NFS, SAMBA, PPPoE, SNMP
Interoperability	ONVIF (Profile S / Profile G / Profile T), API, P2P
Storage	FTP, SFTP, MicroSD Card (supports up to 256 GB), NAS
Web Browsers	IE: IE8, IE9, IE11, Chrome, Firefox
Client	Pro-X, X Station
Interface	
Network	RJ-45 (10/100 Base-T)
Audio I/O	1 channel (RCA port) audio input, 1 channel (RCA port) audio output
Alarm I/O	1 channel alarm input: 5 mA, 3 - 5 VDC, 1 channel alarm output: 300 mA, 12 VDC
General	
Power	12 VDC / PoE (802.3 af), < 6.3 W
Housing	Metal
Dimensions (L x W x H)	7.9 x 2.8 x 2.8" (200.3 x 70.7 x 71.8 mm)
Operating Conditions	-40° to 140° F (-40° to 60° C), Less than 95% RH
Storage Conditions	-40° to 140° F (-40° to 60° C)
Protections	IP67
Net Weight	1.2 lb (0.55 kg)
Gross Weight	1.6 lb (0.74 kg)
Certifications	FCC

Dimensions (mm [inch])



Accessories

LXKJB01 Junction Box	LXPM01 Vertical Pole Mount	LXCM01 Corner Mount
		

