

8 MP Pro-X Lite Series

LXIP1182W-28MA



Key Features

- Resolutions up to 8 MP (3840 × 2160) @ 15 fps
- 1/2.7" Starlight CMOS image sensor
- Min. illumination 0.009 Lux @ f2.0, 0 Lux with IR Light on
- Built-in IR LED, Matrix IR LED up to 98 feet
- Smart encoding H.264 / H.265
- 120 dB True WDR, 3D DNR, HLC, BLC
- Motion Detections: Intrusion, tripwire
- Built-in MicroSD card slot, up to 256 GB
- Built-in Mic
- 12 VDC / PoE power supply
- IP67 protection rating

Specifications

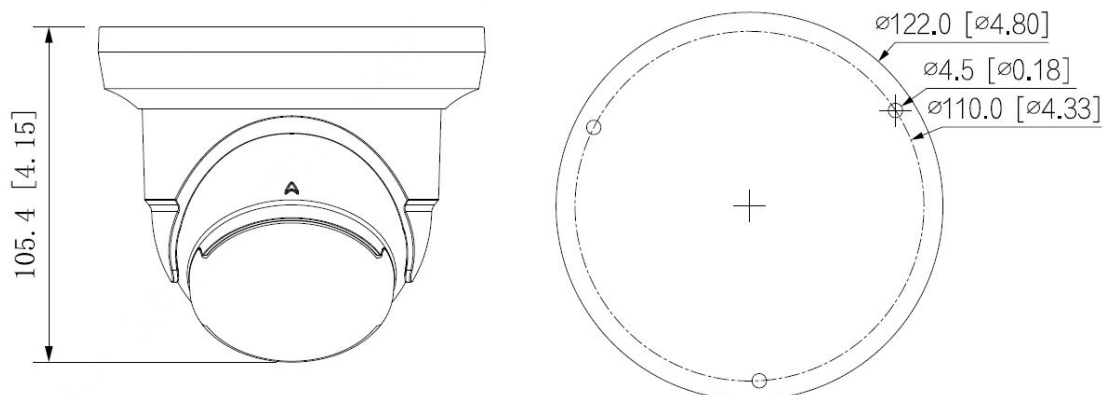
LXIP1182W-28MA

Camera	
Image Sensor	1/2.7" 8 MP progressive CMOS
Min. Illumination	0.009 Lux @ f2.0, 0 Lux with IR Light on
Shutter Speed	Auto / Manual 1/3 - 1/100, 000 sec.
S/N Ratio	> 56 dB
Noise Reduction	3D NR
Wide Dynamic Range	120 dB
Day & Night Imaging	Auto (ICR) / Color / B&W
Angle Adjustment	Pan: 0° - 360°, Tilt: 0° - 78°, Rotation: 0° - 360°
Lens Type	Fixed-focal 2.8 mm @ f2.0
Iris Type	Fixed
Field of View	Horizontal: 105°, Vertical: 56°, Diagonal: 125°
Close Focus Range	3.3 ft (1.0 m)
DORI	Detect: 245.1 ft (74.7 m), Observe: 98.1 ft (29.9 m), Recognize: 48.9 ft (14.9 m), Identify: 24.6 ft (7.5 m)
Illuminator	2 (IR LED)
Illumination Range	98.43 ft (30 m)
Illuminator Control	Auto / Manual
Video	
Video Compression	MJPEG (only supported by the sub stream), H.264, H.264B, H.265
Smart Codec	Supported
Resolution	8 MP (3840 × 2160 / 3072 × 2048 / 3072 × 1728), 5 MP (2592 × 1944), 4 MP (2688 × 1520 / 2560 × 1440), 3 MP (2304 × 1296), 1080p (1920 × 1080), 1.3 MP (1280 × 960), 720p (1280 × 720), D1 (704 × 576/704 × 480), VGA (640 × 480), CIF (352 × 288/352 × 240)
Video Frame Rates	Main stream: 3840 × 2160 @ (1 - 15 fps), 2688 × 1520 @ (1 - 30 fps) Sub stream: 704 × 576 @ (1 - 25 fps), 704 × 480 @ (1 - 30 fps)
Video Stream	2 streams
Bit Rate Control	CBR, VBR
Video Bit Rates	H.264: 32 Kbps - 6,144 Kbps H.265: 12 Kbps - 6,144 Kbps
ROI	Supported (4 areas)
Image Rotation	0° / 90° / 180° / 270° (supports 90° / 270° with 2688 × 1520 resolution or lower)
Mirror	Supported
Privacy Mask	Supported (4 areas)
Audio	
Built-in Mic	Supported
Audio Compression	G.711 A, G.711 Mu, G.726
Event Types	
MD	Tripwire, intrusion
Alarm events	No SD card, SD card full, SD card error, network disconnection, IP conflict, motion detection, video tampering, tripwire, intrusion, illegal access, voltage detection, audio detection, safety exception / anomaly
Network	

Protocol	IPv4, IPv6, HTTP, TCP, UDP, ARP, RTP, RTSP, RTCP, RTMP, SMTP, FTP, SFTP, DHCP, DNS, DDNS, QoS, UPnP, NTP, Multicast, ICMP, IGMP, NFS, PPPoE, Bonjour
Interoperability	ONVIF(Profile S / Profile G / Profile T), API, P2P
Storage	FTP, SFTP, MicroSD Cards (supports up to 256 GB), NAS
Web Browsers	IE, Chrome, Firefox
Client	Pro-X, X Station
Interface	
Network	RJ-45 (10/100 Base-T)
General	
Power	12 VDC / PoE (802.3 af), < 7.2 W
Housing	Aluminum alloy body, except for trim ring
Dimensions	4.15 × Φ 4.8" (105.4 × Φ 122.0 mm)
Operating Conditions	-40° to 131° F (-40° to 55° C), less than 95% RH
Storage Conditions	-40° to 140° F (-40° to 60° C)
Protections	IP67
Net Weight	1.1 lb (0.52 kg)
Gross Weight	1.5 lb (0.66 kg)
Certifications	FCC

Dimensions (mm[inch])

mm [inch]



Accessories

LXJB02 Junction Box	LXWM01 Wall Mount	LXPM01 Vertical Pole Mount	LXPM02 Horizontal Pole Mount	LXKPD01 Pendant Mount	LXCM01 Corner Mount
					

