

CMIP3D82W-28SDA-SL

Platinum 8 MP Strobe Light & Audible Warning Fixed Lens Turret Network Camera



LTS MD 2.0 technology brings human and vehicle target classification alarms to front- and back-end devices. The system focuses on human and vehicle targets, vastly improving alarm efficiency and effectiveness.

- High quality imaging with 8 MP resolution
- Excellent low-light performance
- Clear image against strong back light with 120 dB true WDR
- High-efficiency H.265+ compression technology
- Focus on human and vehicle target classification
- Active strobe light and audio alarm to warn trespassers
- Real-time security via built-in two-way audio
- Water and dust resistance (IP67)

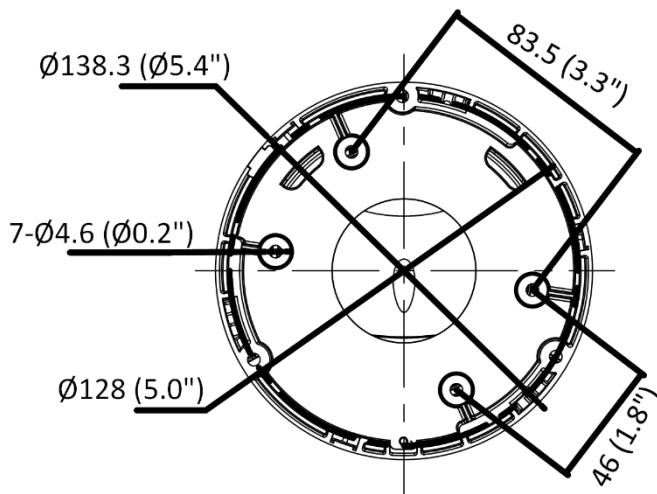
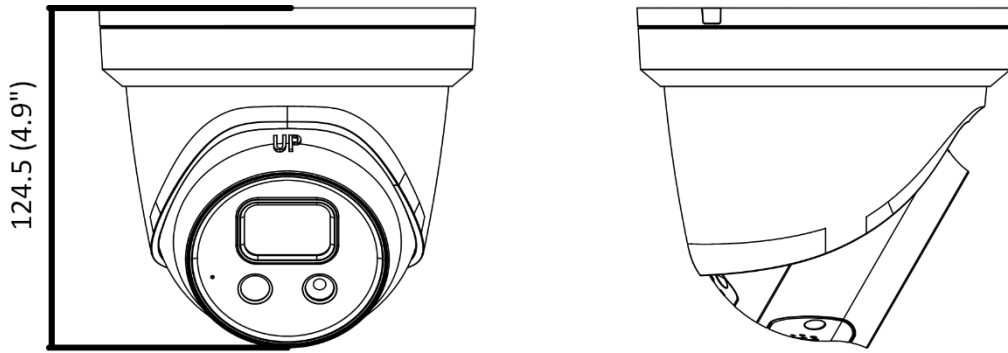
Specifications

Camera	
Image Sensor	1/1.8" Progressive Scan CMOS
Min. Illumination	Color: 0.003 Lux @ (F1.6, AGC on), B/W: 0 Lux with IR
Shutter Speed	1/3 to 1/100,000 sec.
Slow Shutter	Yes
P/N	P/N
Wide Dynamic Range	120 dB
Day & Night	IR cut filter
Angle Adjustment	Pan: 0° to 360°, tilt: 0° to 75°, rotate: 0° to 360°
Lens	
Lens Type	Fixed focal lens, 2.8mm
Iris Type	Fixed
Field of View Angle	Horizontal 111°, vertical 59°, diagonal 131°
Aperture	F1.6
Lens Mount	M12
Detection, Observation, Recognition, Identification	
DORI	D: 89.2 m, O: 35.4 m, R: 17.8 m, I: 8.9 m
Illuminator	
Supplemental Light Type	IR
IR Range	Up to 98 ft (30 m)
IR Wavelength	850 nm
Smart Supplement Light	Yes
Visual Alarm	Yes
Video	
Max. Resolution	3840 × 2160
Main Stream	24 fps (3840 × 2160) 30 fps (3200 × 1800, 2688 × 1520, 1920 × 1080, 1280 × 720)
Sub-Stream	30 fps (1280 × 720, 640 × 480, 640 × 360)
Third Stream	10 fps (1920 × 1080, 1280 × 720, 640 × 480, 640 × 360) *Third stream is supported under certain settings.
Video Compression	Main stream: H.264 / H.264+ / H.265 / H.265+ Sub-stream: MJPEG / H.264 / H.265 Third stream: H.264 / H.265 *Third stream is supported under certain settings.
Video Bit Rates	32 Kbps to 16 Mbps
H.264 Type	Baseline Profile / Main Profile / High Profile
H.265 Type	Main Profile
H.264+	Main stream supported
H.265+	Main stream supported
Bit Rate Control	CBR / VBR
Scalable Video Coding (SVC)	H.264 and H.265 encoding
Region of Interest (ROI)	1 fixed region for main stream and sub-stream

Audio	
Audio Type	Mono sound
Environmental Noise Filtering	Yes
Audio Sampling Rate	8 / 16 / 32 / 44.1 / 48 kHz
Audio Compression	G.711 ulaw / G.711 alaw / G.722.1 / G.726 / MP2L2 / PCM / MP3 / AAC-LC
Audio Bit Rates	64 Kbps (G.711 ulaw / G.711 alaw) / 16 Kbps (G.722.1) / 16 Kbps (G.726) / 32 to 192 Kbps (MP2L2) / 8 to 320 Kbps (MP3) / 16 to 64 Kbps (AAC-LC)
Network	
Simultaneous Live View	Up to 6 channels
API	Open Network Video Interface (PROFILE S, PROFILE G, PROFILE T), ISAPI, SDK
Protocols	TCP/IP, ICMP, HTTP, HTTPS, FTP, DHCP, DNS, DDNS, RTP, RTSP, NTP, UPnP, SMTP, IGMP, 802.1X, QoS, IPv4, IPv6, UDP, Bonjour, SSL/TLS, PPPoE, SNMP, ARP, WebSocket, WebSockets
User / Host	Up to 32 users. 3 user levels: administrator, operator and user
Security	Password protection, complicated password, HTTPS encryption, IP address filter, Security Audit Log, basic and digest authentication for HTTP/HTTPS, TLS 1.1/1.2, WSSE and digest authentication for Open Network Video Interface
Network Storage	NAS (NFS, SMB / CIFS), auto network replenishment (ANR) Together with high-end Hikvision memory card, memory card encryption and health detection are supported.
Client	NVMS, LTS Connect, XVMS
Web Browsers	Plug-in required live view: IE 10, IE 11 Plug-in free live view: Chrome 57.0+, Firefox 52.0+, Edge 89+ Local service: Chrome 57.0+, Firefox 52.0+, Edge 89+
Imaging	
Signal-to-Noise Ratio (SNR)	≥ 52 dB
Target Cropping	Yes
Day / Night Switch	Day, Night, Auto, Schedule
Image Enhancement	BLC, HLC, 3D DNR
Image Parameters Switch	Yes
Image Settings	Rotate mode, saturation, brightness, contrast, sharpness, gain, white balance adjustable by client software or web browser
Interface	
Alarm	1 input, 1 output (max. 24 VDC/24 VAC, 500 mA)
Audio	1 input (line in), terminal block, max. input amplitude: 3.3 Vpp, input impedance: 4.7 KΩ, interface type: non-equilibrium; 1 output (line out), terminal block, max. output amplitude: 3.3 Vpp, output impedance: 100 Ω, interface type: non-equilibrium; 1 built-in speaker, 1 built-in microphone
Built-in Microphone	Yes
Built-in Speaker	Power: 1.2 W. Max. sound pressure level: 10 cm: 95 dB.
On-Board Storage	Built-in MicroSD / SDHC / SDXC slot, up to 512 GB
Hardware Reset	Yes
Ethernet Interface	1 RJ45 10/100 Mbps self-adaptive Ethernet port


Event Types	
Basic Events	Motion detection (human and vehicle targets classification), video tampering alarm, exceptions / anomalies
Smart Events	Scene change detection
Other VCA Function	
Face Capture	Yes
Perimeter Protections	Line crossing, intrusion, region entrance, and region exiting detections Supports human and vehicle targets classification
General	
Linkage Method	Upload to FTP / NAS / memory card, notify surveillance center, send email, trigger recording, trigger capture, trigger alarm output, audible warning, strobe light
General Function	Anti-flicker, heartbeat, mirror, privacy mask, flash log, password reset via email, pixel counter
Software Reset	Yes
Firmware Version	V5.5.112
Storage Conditions	-22° to 140° F
Startup and Operating Conditions	-22° to 140° F
Power Supply	12 VDC ± 25%, reverse polarity protection PoE: 802.3af, Class 3
Power Consumption and Current	12 VDC, 0.75 A, max. 9 W PoE (802.3 af, 36 V to 57 V), 0.28 A to 0.17 A, max. 10 W
Power Interface	Ø5 .5 mm coaxial power plug
Camera Materials	Metal except for trim ring
Camera Dimensions	Ø 5.4 × 4.9 in.
Package Dimensions	6.9 × 6.9 × 5.9 in.
Camera Weight	Approx. 1.9 lbs
Package Weight	Approx. 2.6 lbs
Certifications	
EMC	FCC (47 CFR Part 15, Subpart B); CE-EMC (EN 55032: 2015, EN 61000-3-2: 2014, EN 61000-3-3: 2013, EN 50130-4: 2011 +A1: 2014); RCM (AS/NZS CISPR 32: 2015); IC (ICES-003: Issue 6, 2016); KC (KN 32: 2015, KN 35: 2015)
Safety	UL (UL 60950-1); CB (IEC 60950-1:2005 + Am 1:2009 + Am 2:2013, IEC 62368-1:2014); CE-LVD (EN 60950-1:2005 + Am 1:2009 + Am 2:2013, IEC 62368-1:2014)
Environmental	CE-RoHS (2011/65/EU); WEEE (2012/19/EU); Reach (Regulation (EC) No 1907/2006)
Protections	IP67 (IEC 60529-2013)

Dimensions



Unit: mm (inch)

Accessories

LTB379 Corner Mount	LTB378 Vertical Pole Mount	LTB341 Pendant Mount
		
LTB342-140 and LTB342-JBOX	LTB342-140 Wall Mount	LTB701 Junction Box
