

# Ultra Short Depth Single Rail WideScreen LCD Console (USB, HDMI)

## CL3700

The CL3700 USB HDMI LCD Console is a short depth single rail LCD KVM console featuring an 18.5" LEDbacklit widescreen LCD monitor with an integrated keyboard and touchpad. The short-depth design fits all 19" equipment cabinets, and is especially suitable for shallow racks. The CL3700 provides an ideal space-saving solution for special environments such as outside broadcast vans (OB vans) and compact control rooms.

The CL3700 is a dedicated front end sliding console for compatible HDMI KVM switches. The CL3700NW's full HD widescreen LCD monitor ensures excellent video quality and provides ample viewing area. For added convenience, users can choose to manage the computer from an external console. The CL3700 features a port for an external USB mouse on the unit's front panel, while ports for the second KVM console (USB keyboard/mouse and HDMI monitor) are provided on the rear panel.

With a rich feature set, the CL3700 is designed to exceed the requirements for space utility optimization, superior video quality, adaptive deployment, and operational versatility, and is ideal for applications such as mobile live streaming in the broadcasting sector or control rooms with limited space in any industry.

In addition, testing is performed using the MIL-STD-810G\* procedure to verify High/Low Temperature, Vibration, and Shock Resistance. MIL-STD-810G testing ensures the CL3700NW operates reliably in harsh environments by subjecting the equipment to rigorous testing. This process emphasizes the equipment's environmental design and limits under real-world conditions it will encounter throughout its lifespan, such as operating in extreme temperature ranges or on vessels experiencing frequent high vibrations and shocks on the ocean.

**Note:**

Suggest to collocate with 2K-0003/ 2K-0004, and 2X-EA12 (LockPro HDMI cable lock), 2X-EA07 (Lok-U-Plug cable holder) to install

**CL3700NW: 18.5" LCD screen with Full HD resolution of 1920 x 1080**

**CL3700NX: 18.5" LCD screen with resolution of 1366 x 768**



Front View



Rear View



## Features

### Space Utility Optimization

- Exclusive LED illumination light – designed by ATEN to illuminate the keyboard and touchpad to allow visibility in low-light conditions
- Integrated LCD KVM console with an 18.5" LED-backlit widescreen LCD monitor in a single rail housing with top and bottom clearance for smooth operation in a 1U high system rack
- Short-depth design allows you to work with your rack-mounting equipment in narrow spaces
- Console lock – enables the console drawer to remain securely locked away in position when not in use
- Optional 2-in-1U Mounting Kit (2K-0001/2K-0002/2K-0007) – fitting CL3700 and a rack KVM switch/KVM over IP switch in 1U of space on a rack for space-saving, easy and flexible operation<sup>1</sup>

### Remarkable Video Experience

- Supports HDMI video input
- The 18.5" LCD screen offers resolutions of up to 1920 x 1080 (Full HD) @ 60Hz for CL3700NW and resolutions of up to 1366 x 768 @ 60Hz for CL3700NX
- External console supports input video resolutions up to 1920 x 1200 @ 60Hz

### Installation Flexibility

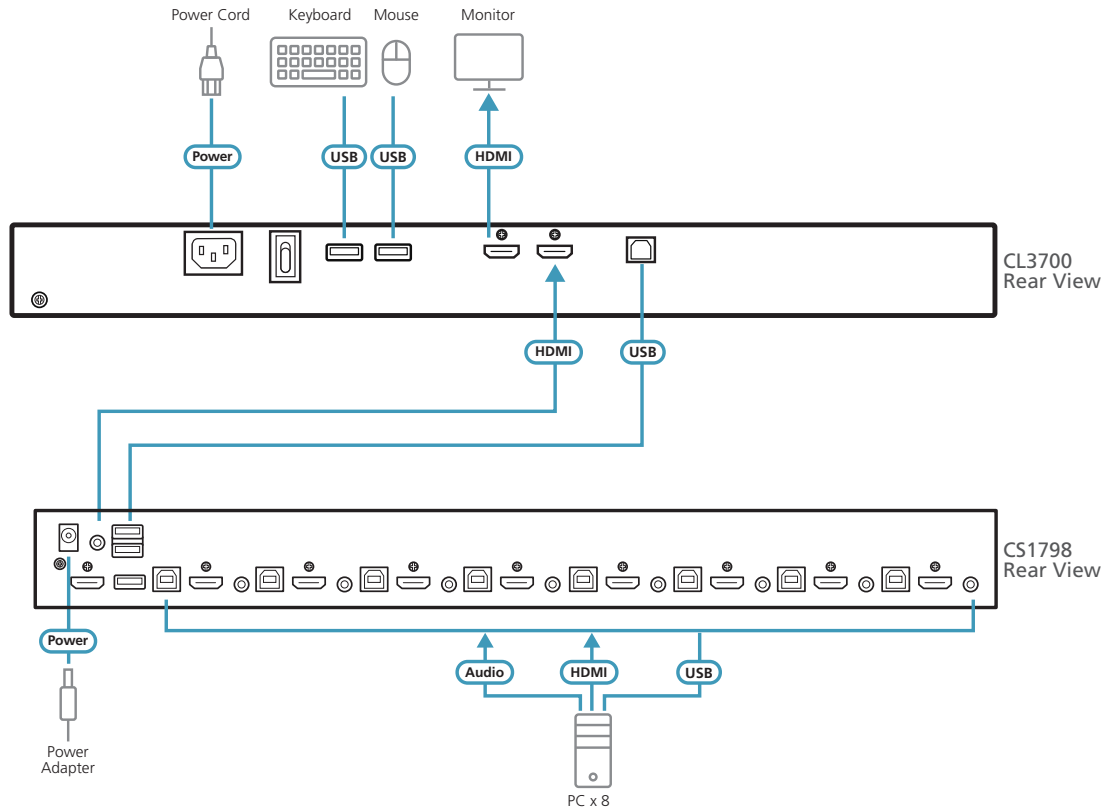
- Standard rack mount kit included
- Optional rack mount kits available including easy installation options<sup>1</sup>
- No software required
- Firmware upgradable
- Supports hot-plugging

### Reliability and Operational Versatility

- Supports an external console with USB / HDMI connectors
- Additional hot-pluggable USB mouse port on front panel (also functions as a USB peripheral port)
- Console selection via hotkey
- Standard 105-key keyboard
- High/ Low Temperature, Vibration and Shock Resistance Test – MIL-STD-810G certified (CL3700NW only)<sup>2</sup>

#### Note:

1. Contact your ATEN dealer for product information
2. For more information about MIL-STD-810G environmental testing, please refer to user manual.



## Optional

### Single Person Easy Installation Kit

Slideaway™ LCD KVM switches/consoles allow you to choose from a host of optional rack mount kits to meet your needs, including the Single Person Easy Installation Rack Mount Kit, which streamlines the rack mounting process.

Normal rack mounting procedures call for at least two people to rack mount a KVM switch/console. The Single Person Easy Installation Rack Mount Kit enables one person to rack mount a Slideaway™ LCD KVM switch/console. In just a matter of minutes, your new Slideaway™ LCD KVM switch/console can go from the box to the rack.

For convenience and flexibility, there is one standard, and two optional rack mounting kits available:

Standard Rack Mount Kit	Depth (cm)
<b>Short</b> (Standard)	42 – 72
<b>2X-040G</b> (Long / Optional)	70 – 100

Easy Installation Rack Mount Kit	Depth (cm)
<b>2K-0003</b> (Short / Optional)	42.5 – 70
<b>2K-0004</b> (Long / Optional)	68 – 105

# Specifications

	CL3700NW	CL3700NX
<b>Computer Connections</b>		
Direct		1
<b>Console Selection</b>		
		Hotkey
<b>Connectors</b>		
External Console Ports		1 x HDMI Female 2 x USB Type-A Female
KVM Ports		1 x HDMI Female 1 x USB Type-B Female
External Mouse / USB Port		1 x USB Type-A Female (Front)
Firmware Upgrade		1 x 3.5mm Audio Jack Female (Black)
Power		1 x IEC 60320/C14
<b>Switches</b>		
Reset		1 x Semi-recessed Pushbutton
Firmware Upgrade		1 x Slide Switch
Power		1 x Rocker Switch
LCD Power		1 x LED Pushbutton
LCD Control		4 x Pushbutton
<b>LEDs</b>		
Power		1 x KVM Console (Dark Green) 1 x LCD (Orange)
Lock		1 x Num Lock (Green) 1 x Caps Lock (Green) 1 x Scroll Lock (Green)
LED Illumination Light		1 x LED Illumination Light
<b>Emulation</b>		
Keyboard / Mouse		USB
<b>Video</b>		
Input Video Resolution	up to 1920 x 1200 @ 60Hz; 1920 x 1080 @ 60 Hz, DDC2B	up to 1920 x 1200 @ 60Hz; 1366 x 768 @ 60 Hz, DDC2B
<b>Panel Spec</b>		
LCD Module		18.5" TFT-LCD
Resolution	1920 x 1080 @ 60Hz	1366 x 768 @ 60Hz
Pixel Pitch	0.213 mm x 0.213 mm	0.3 mm x 0.3 mm
Response time	20 ms	5 ms
Viewing Angle	178° (H), 178° (V)	170° (H), 160° (V)
Contrast Ratio	1000:1	1000:1
Support Color	16.77M colors	16.77M colors
Luminance	350 cd/m <sup>2</sup>	250 cd/m <sup>2</sup>
<b>Maximum Input Power Rating</b>	100 - 240V AC, 50 - 60 Hz, 1A	
<b>Power Consumption</b>	AC110V: 23.3W AC220V: 23.9W	AC110V: 13.6W AC220V: 13.5W
<b>Environmental</b>		
Operating Temperature	0 – 40° C	
Storage Temperature	-20 – 60° C	
Humidity	0 – 80% RH, Non-condensing	
<b>Physical Properties</b>		
Housing	Metal + Plastic	
Rail Type	Single Rail	
Weight	9.01 kg	9.03 kg
Dimensions (L x W x H)	48.06 x 47.70 x 4.28 cm	
Body Dimensions (L x W x H)	44.92 x 43.00 x 4.28 cm	

**Note:**

- For some rack mount products, please note that the standard physical dimensions of WxDxH are expressed using a LxWxH format.
- Body Dimensions exclude I/O ports, handles, and mounting brackets.

Product information is subject to change without prior notice.

**ATEN International Co., Ltd.**

3F., No. 125, Sec. 2, Datung Rd., Sijhih District., New Taipei City 221, Taiwan  
 Phone: 886-2-8692-6789 Fax: 886-2-8692-6767  
 www.aten.com E-mail: marketing@aten.com

Released: 07/2024 V5.0

© Copyright 2024 ATEN® International Co. Ltd.  
 ATEN and the ATEN logo are registered trademarks of ATEN International Co., Ltd.  
 All rights reserved. All other trademarks are the property of their respective owners.  
 The terms HDMI, HDMI High-Definition Multimedia Interface, and the HDMI Logo are trademarks or registered trademarks of HDMI Licensing Administrator, Inc.

