

Baseline product line

MotionProtect Plus Jeweller

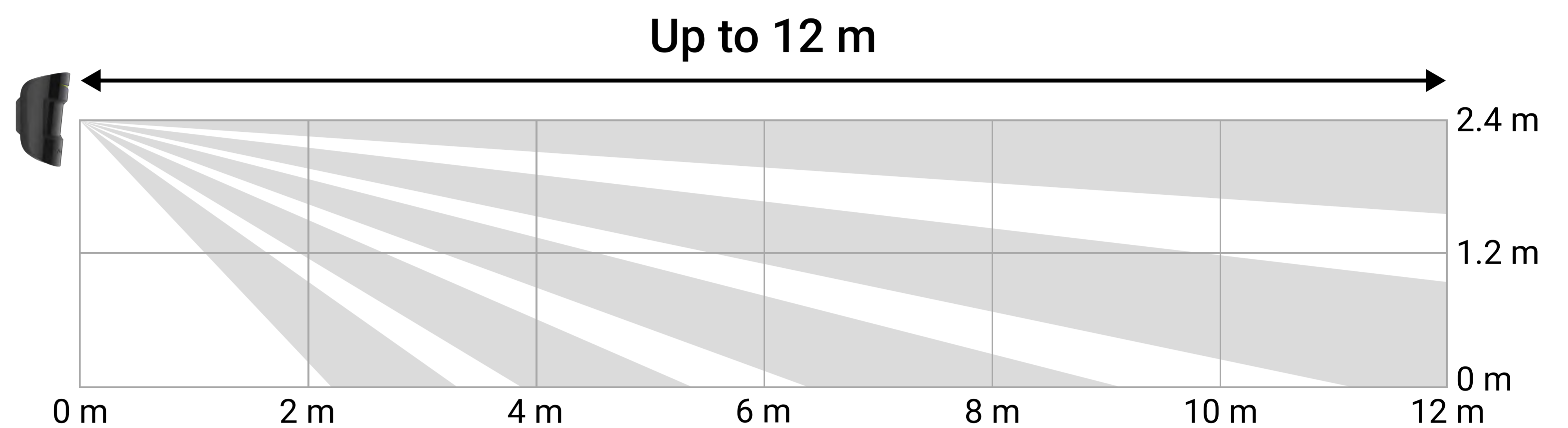
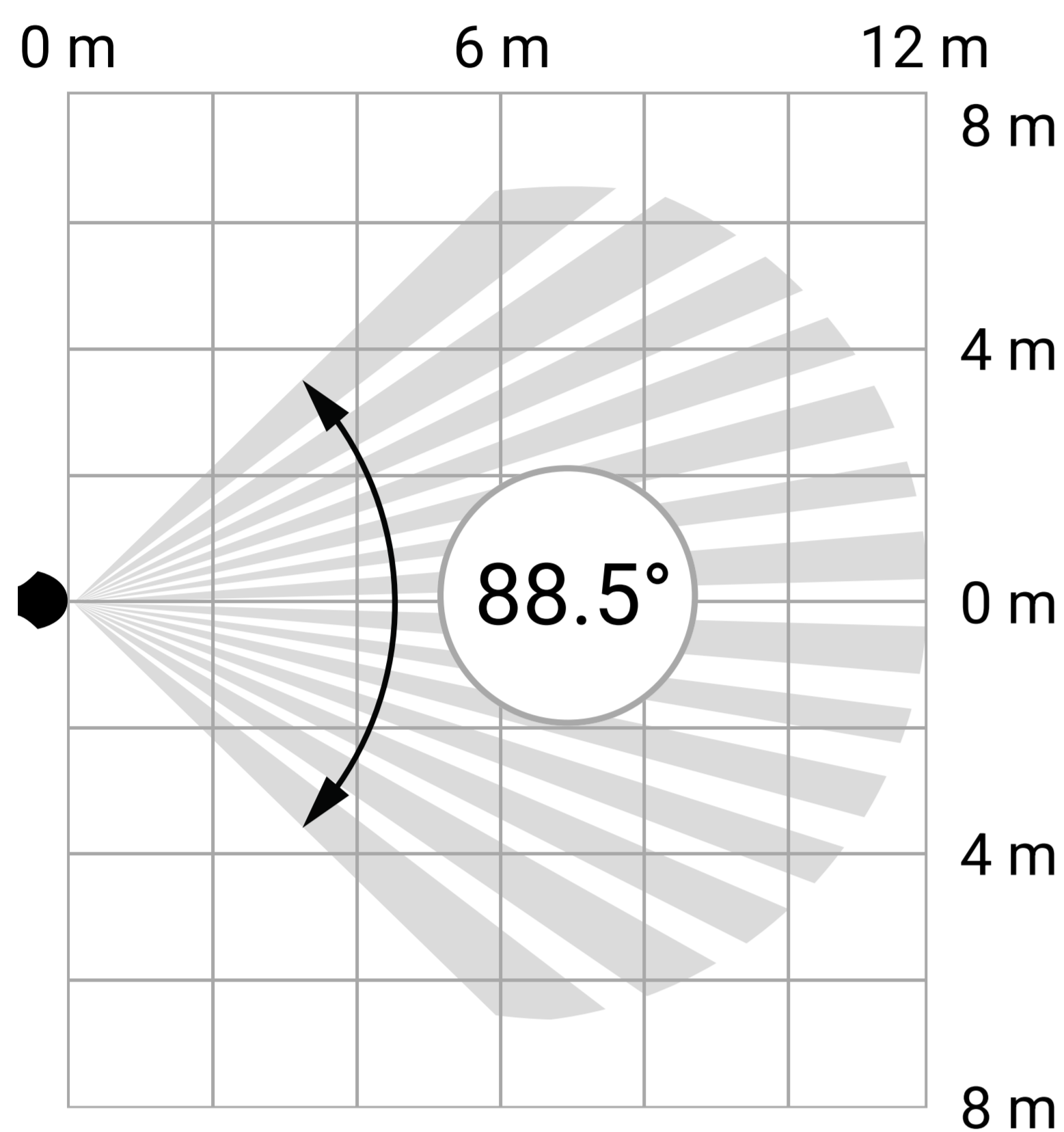
Wireless IR motion detector with an additional K-band microwave sensor



2
GRADE
EN 50131

PD 6662
2017

UL®
LISTED



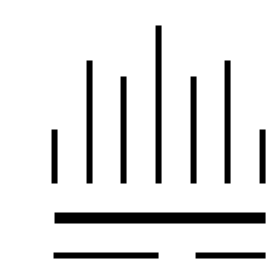
Enhanced motion detection

- The detector has 2 built-in sensors: PIR and K-band
- Motion detection distance of up to 12 m
- Horizontal motion detection angle: 88.5°
- Temperature compensation for motion detection at any operating temperature



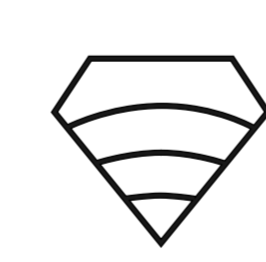
Sabotage resistance

- Tamper alarm
- Device authentication to prevent spoofing



False alarms prevention

- Dual technology: verification of PIR sensor alarms with a microwave sensor
- Three sensitivity levels: selectable in the app
- SmartDetect algorithm to prevent false alarms
- Pet immunity: pets with a height of up to 50 cm and a weight¹ of up to 20 kg

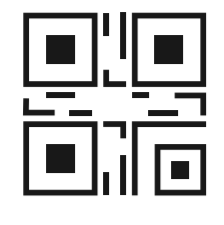


Jeweller

communication technology

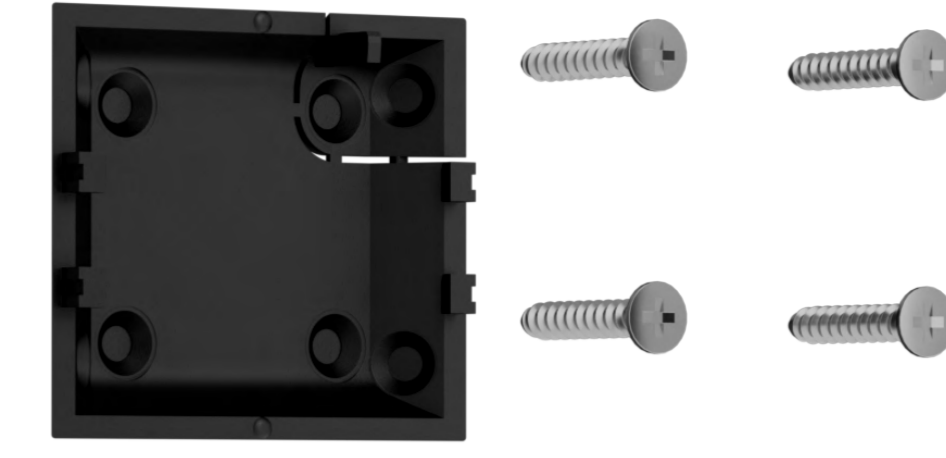
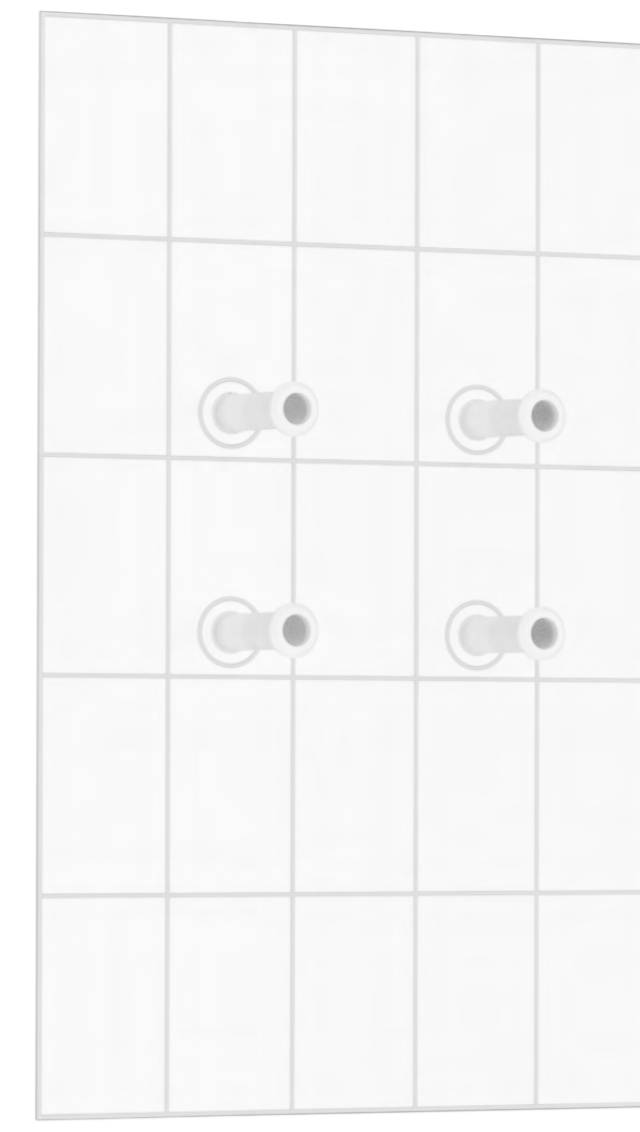
- Up to 1,200 m of radio communication in an open space
- Data is encrypted throughout the transmission process
- Regular polling to display current device states
- Jamming detection and frequency hopping

¹With proper installation and configuration.



Effortless installation, maintenance, and configuration

- Pairing with a hub via QR code
- Remote control and configuration in mobile and desktop apps
- Up to 5 years of operation with pre-installed batteries
- Installation and replacement without opening the enclosure



Superior, Fibra, and Baseline product lines are mutually compatible. This opens up numerous possibilities for building systems of any configuration.

<p>Compliance with standards</p> <p>EN 50131 (Grade 2) PD 6662:2017 UL369, ULC S306</p>	<p>Communication with a hub</p> <p>Jeweller communication technology</p> <p>Communication range up to 1,200 m In an open space</p> <p>Radio frequency band 866.0–866.5 MHz 868.0–868.6 MHz 868.7–869.2 MHz 905.0–926.5 MHz 915.85–926.5 MHz 921.0–922.0 MHz Depends on the sales region</p>	<p>Detection</p> <p>Sensing elements 1 × PIR sensor 1 × K-band microwave sensor</p> <p>Motion detection distance up to 12 m When installed at a height of 2.4 meters</p> <p>Horizontal detection angle 88.5°</p> <p>Motion detection speed from 0.3 to 2.0 m/s The direction of the detector lens should be perpendicular to an alleged intrusion path into the facility.</p> <p>Temperature compensation</p> <p>Sensitivity 3 levels Adjusted by a PRO or a user with admin rights in the Ajax app</p> <p>Pet immunity weight: up to 20 kg height: up to 50 cm</p>	
<p>Compatibility</p> <p>Hubs Hub Jeweller Hub Plus Jeweller Hub 2 (2G) Jeweller Hub 2 (4G) Jeweller Hub 2 Plus Jeweller Hub Hybrid (2G) Hub Hybrid (4G)</p> <p>Range extenders ReX Jeweller ReX 2 Jeweller</p>	<p>Enclosure</p> <p>Colour white, black</p> <p>Dimensions 110 × 65 × 50 mm</p> <p>Weight 96 g</p>	<p>Installation</p> <p>Operating temperature range from –10 °C to +40 °C</p> <p>Operating humidity up to 75%</p> <p>Recommended installation height 2.4 m</p>	<p>Complete set</p> <p>MotionProtect Plus Jeweller SmartBracket mounting panel 1 × CR123A battery (pre-installed) Installation kit Quick start guide</p>



For detailed information, scan the QR code or follow the link:

ajax.systems/products/motionprotectplus/

- ✉ support@ajax.systems
- 📍 @AjaxSystemsSupport_Bot
- 🌐 ajax.systems